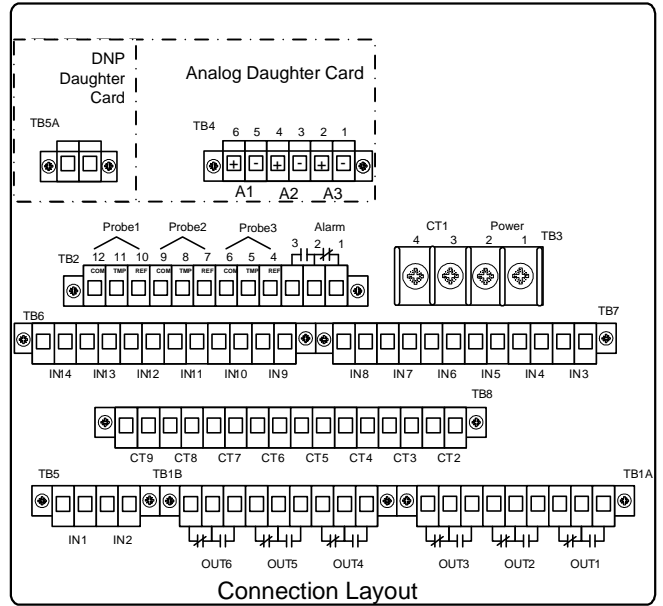
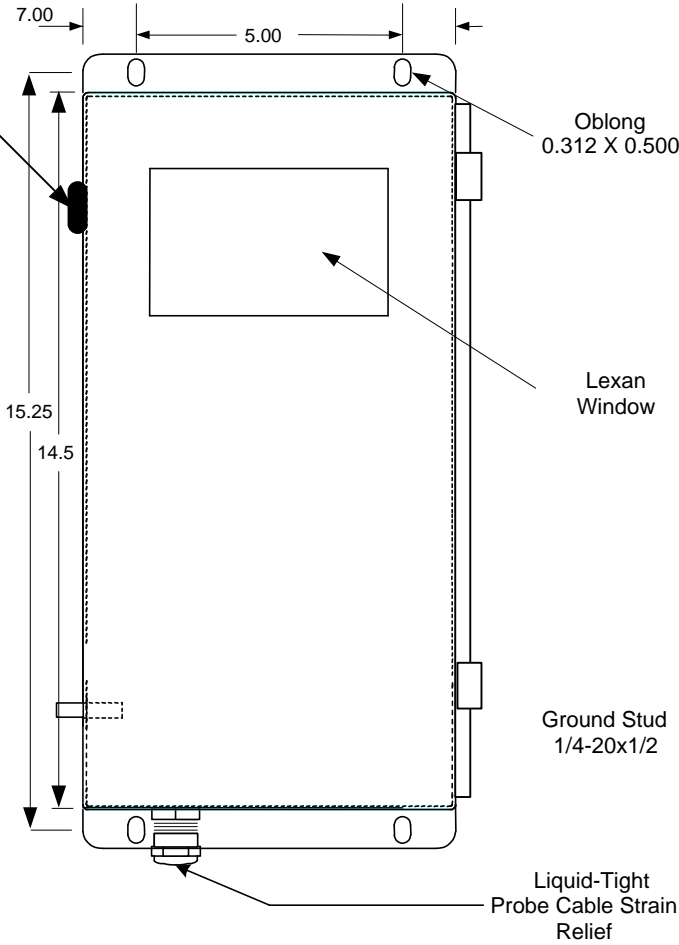
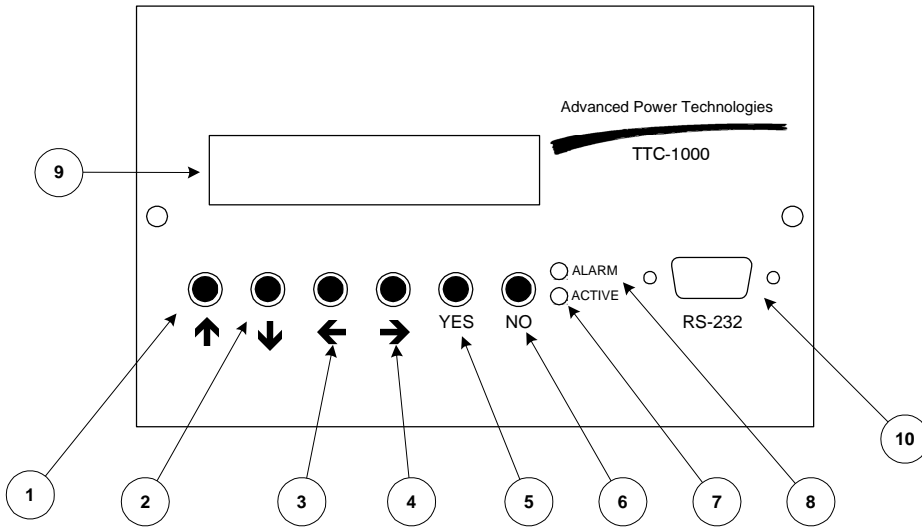
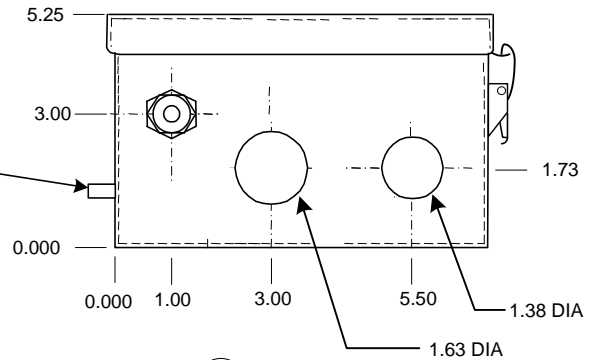


MEMBRANE BREATHER



Ground Stud 1/4-20x1/2



- 1 UP PUSHBUTTON
- 2 DOWN PUSHBUTTON
- 3 LEFT PUSHBUTTON
- 4 RIGHT PUSHBUTTON
- 5 YES PUSHBUTTON
- 6 NO PUSHBUTTON
- 7 POWER ON LED
- 8 DEVICE ALARM LED
- 9 16 X 2 LINE LCD DISPLAY
- 10 RS-232 DB-9 CONNECTOR

DIMENSIONS & MOUNTING

Material: 304 Stainless Steel
Enclosure NEMA 4X

	DWG. NO.	8001TTC10003XXXXX	REV.	I
	SCALE	N/A	SHEET	1 OF 2
TITLE	TTC-1000-3XXXXX Outline Drawing		DRAWN	G. Hoffman
			DATE	04-13-07