

Advanced Power Technologies

ECLIPSE HECT TM

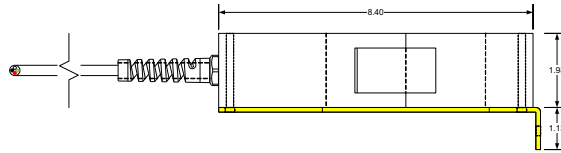
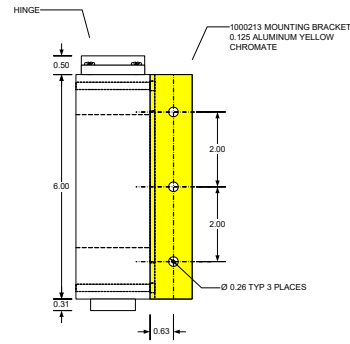
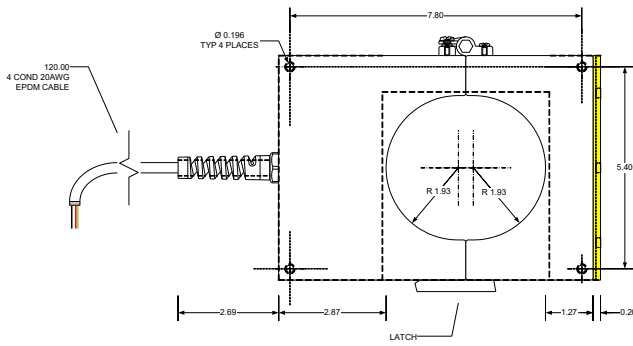
Monitor With ConfidenceTM



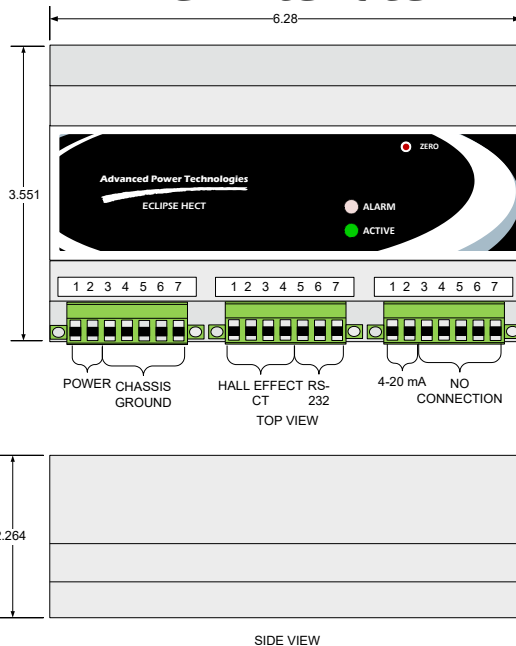
- ◆ For Monitoring GIC on Transformer Neutral
- ◆ Rugged Sealed Split Core Hall Effect CT
- ◆ DIN Rail Mount Hall Effect CT Interface with 4-20 mA Analog Output
- ◆ Hall Effect Sensor Fail Alarm
- ◆ User custom calibration for lower levels of GIC



Split Core HECT ASSY with 1000213 Mtg Plate



HECT Interface



Ordering Part Numbers:

ECLIPSE HECT-001: Hall Effect Transducer Interface with Split Core CT

ECLIPSE HECT-002: Hall Effect Transducer Interface with Solid Core CT

1000213: Split Core Hall Effect CT Mounting Bracket

Spare Parts:

ECLIPSE HECT-000: Hall Effect Transducer Interface

57100200150: Split Core Hall Effect CT

Specifications

Power Supply Input Operating Range: 38 VDC to 290 VDC or 120 VAC +/- 10%, 2 Watts DC Max

Operating Temperature Range: -50 °C to +85 °C, 95% Relative Humidity (non condensing)

Analog Output: 4 to 20 mA. Maximum load 550 Ohms

Communications Interfaces: RS-232 3 Wire Interface (Rx, Tx, Ground)

Current Measurement Range: -500 to +500 Amps DC

Current Measurement Accuracy: +/- 2.8 % Full Scale

Current Measurement Resolution: 0.1 Amps DC

Sampling Rate: 4 Samples per Second

Attenuation: at 50 Hz & 60 Hz 80 dB maximum and 2nd harmonic above 60 dB minimum

Surge Withstand/Fast Transient: IEEE Std C37-90.1-2002.

Electrostatic Discharge: IEEE Std C37.90.3

Hall Effect CT IP Rating: IP65

EMC Directive (2004/108/EC): IEC61326-1 and CISPR-11



www.AdvPowerTech.com

215 State Route 10, Building 2

Randolph, NJ 07869

Phone: (973) 328-3300

Fax: (973) 328-0666